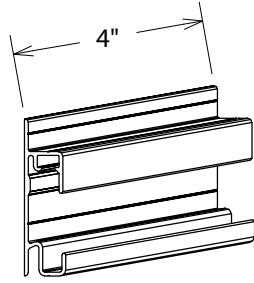
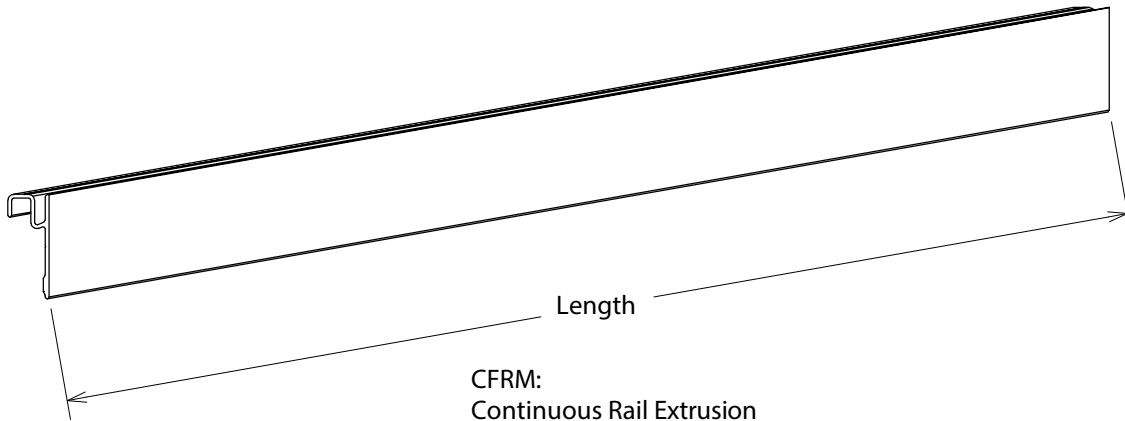


Elevation




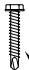

CFCU:
Panel Clip Extrusion
without Holes

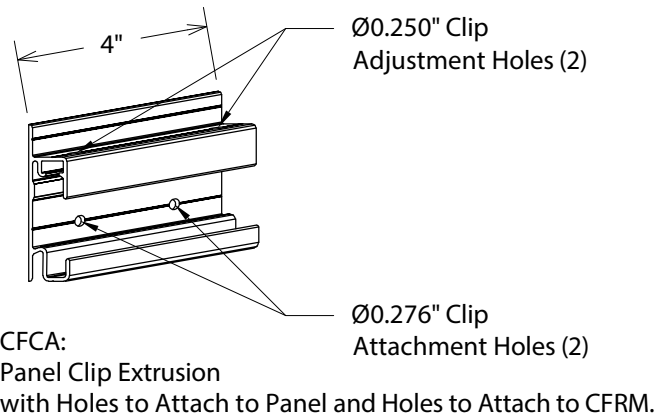


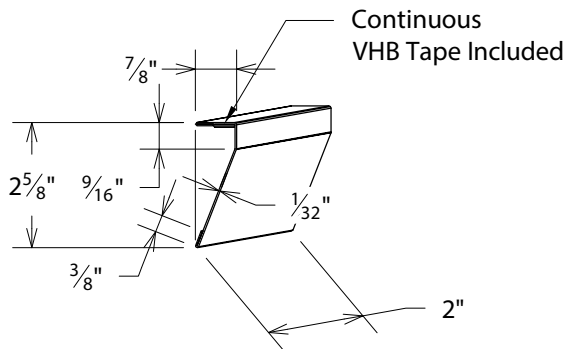
CFRM:
Continuous Rail Extrusion
Available in 10' and 20' Lengths

01
DET

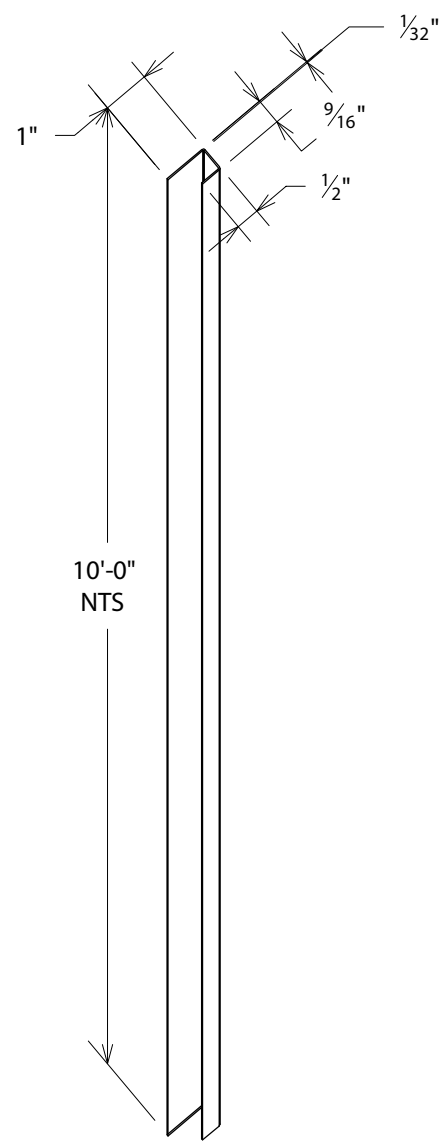
CF System Parts Catalog Page

- 
 Every CFCA Includes One
 1/4-20x1" SS Socket
 Head Cap Screw (Pt# CFF3)
- 
 Every CFCA Includes One
 1/4-20 SS Nut (Pt# CFF4)
- 
 Every CFCA Includes One
 #12x1 1/2" SS Self-Drilling Fastener
 (Pt# CFF2)

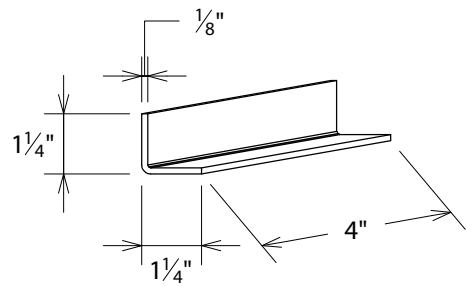




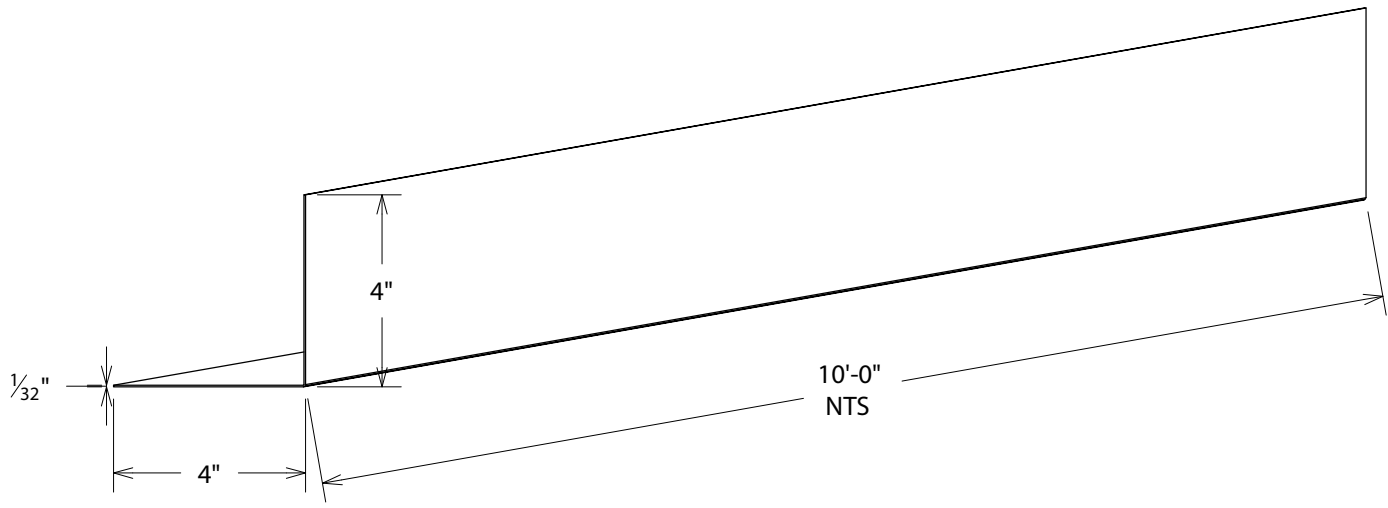
CFB01:
 Rail Cover, 0.032" Aluminum, Prefinished Black
 Apply at All Panel Rails at All Vertical Joints



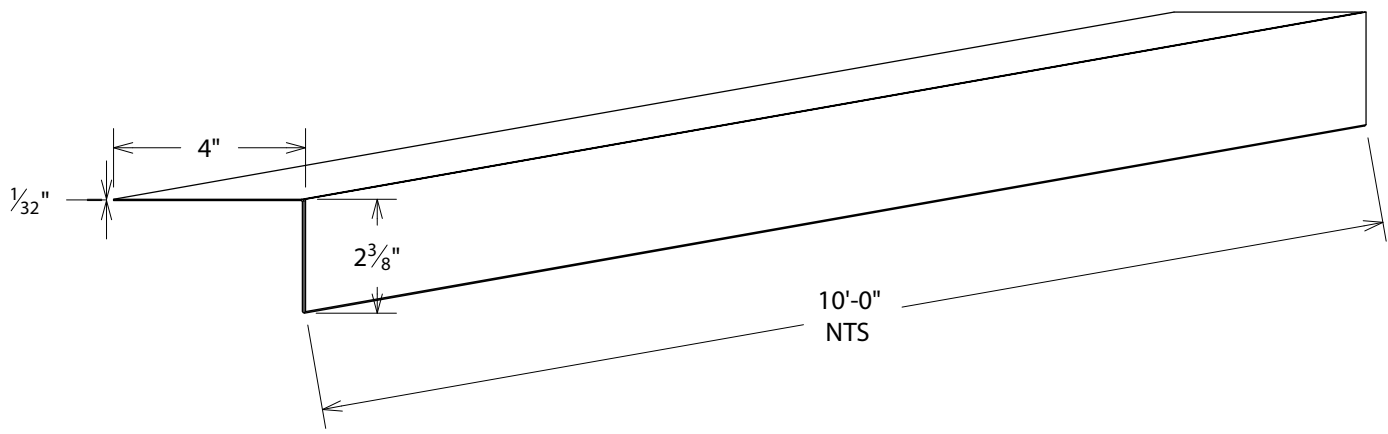
CFB07:
 Outside Corner Closure, 0.032" Aluminum Prefinished Black
 Apply Continuously at All Outside Corners



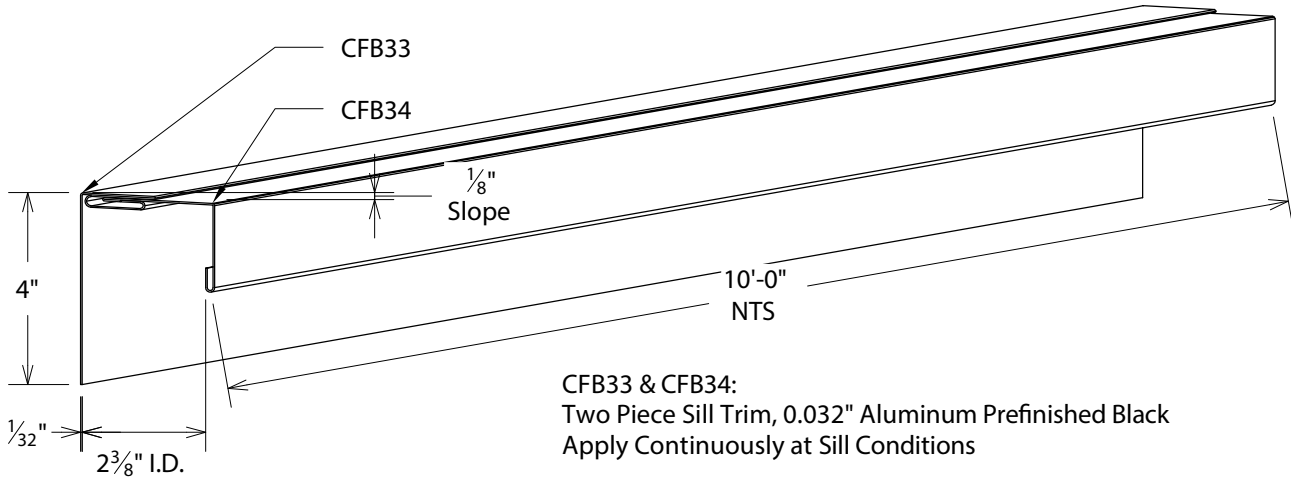
CFM06:
 Panel Hold Down, 0.125" Aluminum, Mill Finished
 Apply Where Access to Top of CFCA is Limited



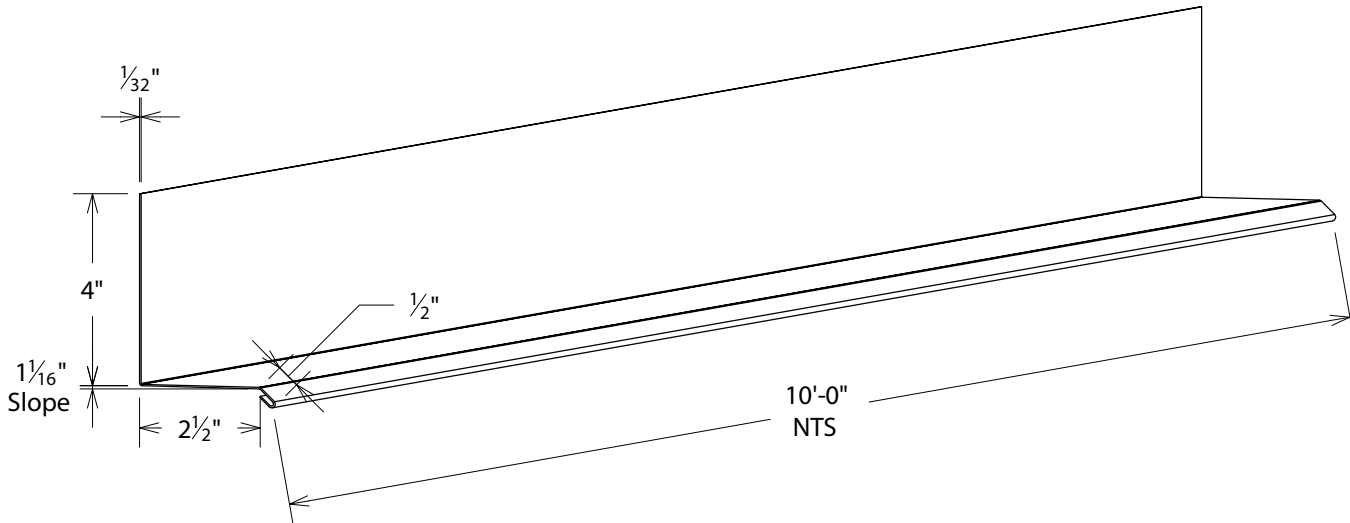
CFB24:
 Wall Opening Flashing, 0.032" Aluminum Prefinished Black
 Apply Continuously at All Wall Openings, IE Windows, Doors and Louvers



CFB25:
 Jamb Trim, 0.032" Aluminum Prefinished Black
 Apply Continuously at All Jambs, IE Windows, Doors and Louvers

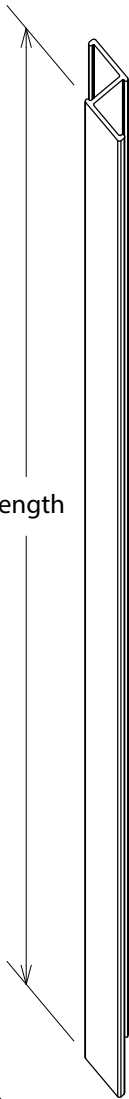


CFB33 & CFB34:
Two Piece Sill Trim, 0.032" Aluminum Prefinished Black
Apply Continuously at Sill Conditions

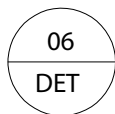


CFB22:
Base Trim, 0.032" Aluminum Prefinished Black
Apply Continuously at All Base of Panel Conditions

05 CF System Parts Catalog Page
DET



EFZB:
Continuous 'Z' Extrusion, Prefinished Black
Available in 10' and 20' Lengths



CF System Parts Catalog Page