

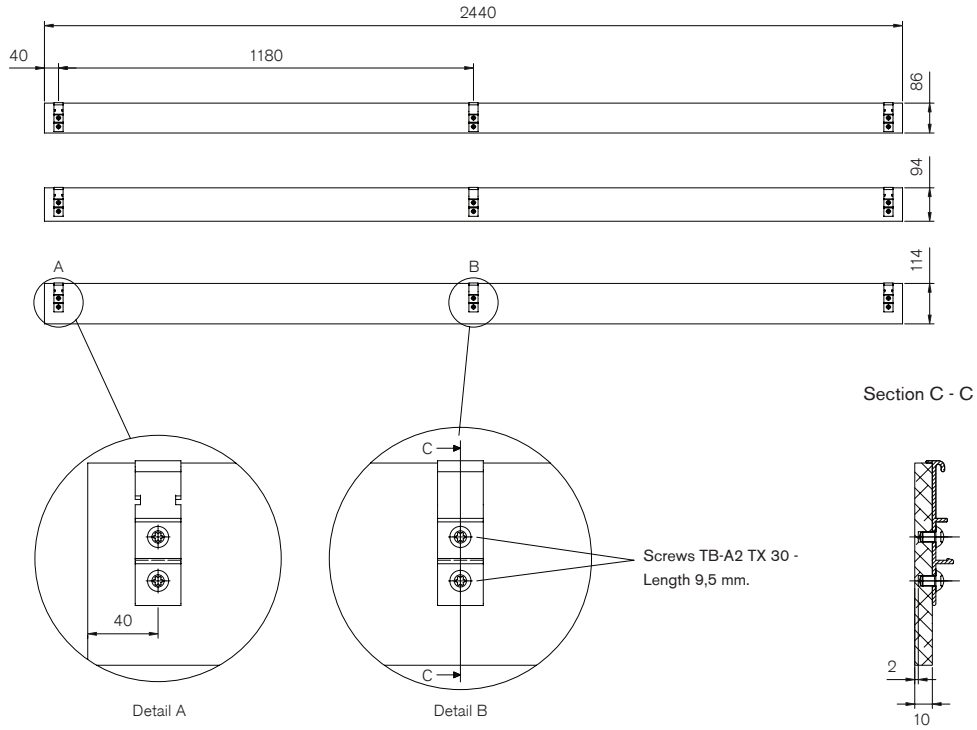
Louvre

Technical guide

Parklex introduces 2 revolutionary systems of demountable and rear accessible natural timber louvres. Installation of vertical and 60° louvres.

Louvre preparation

Dimensions



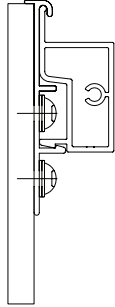
Dimensions	Thickness
2440 x 86 mm	10 mm
2440 x 94 mm	10 mm
2440 x 114 mm	10 mm

* Other widths upon request.

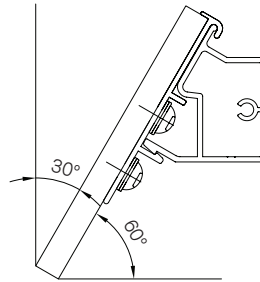
Louvre preparation

Installation types

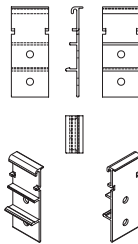
Sloping 0° (Vertical)



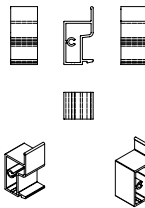
Sloping 60°



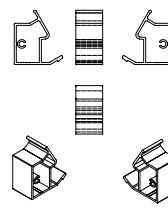
Profile components



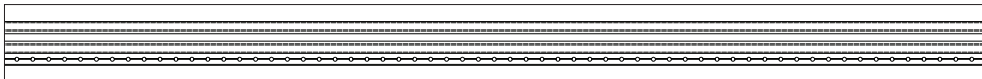
Louvre clip



Louvre base 0°



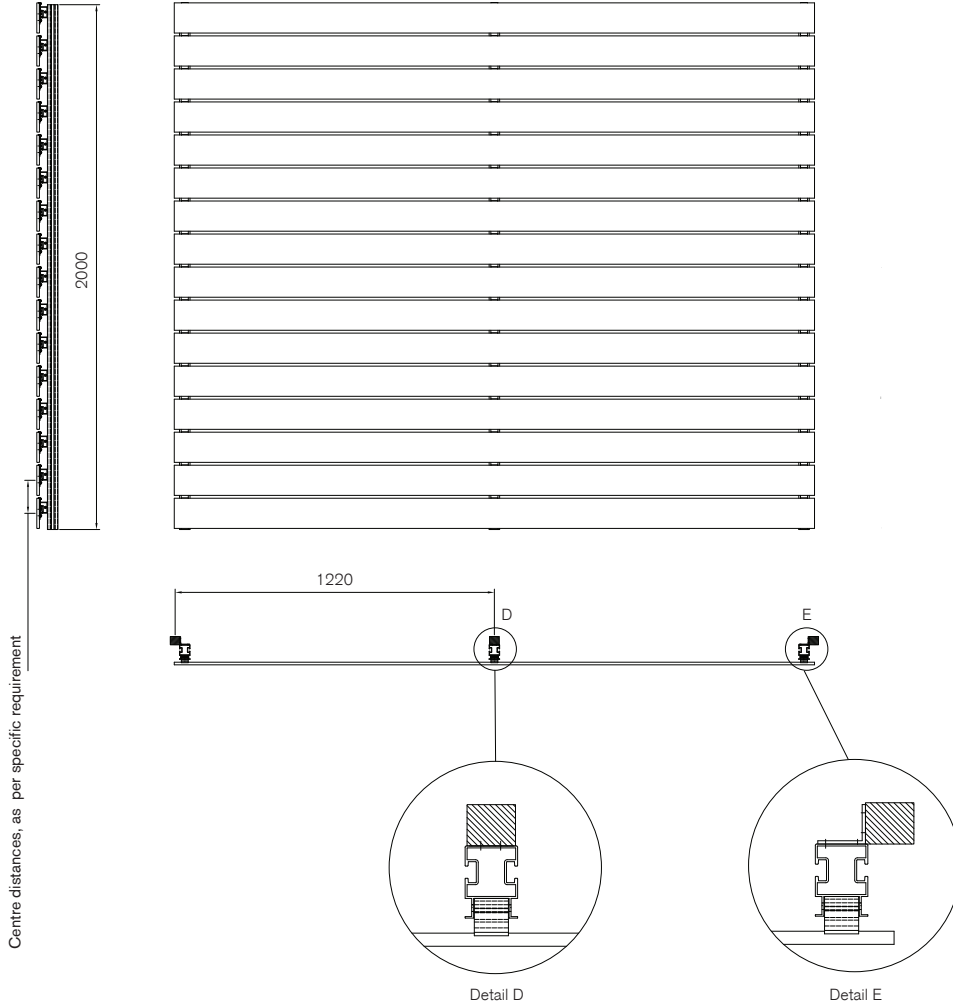
Louvre base 60°



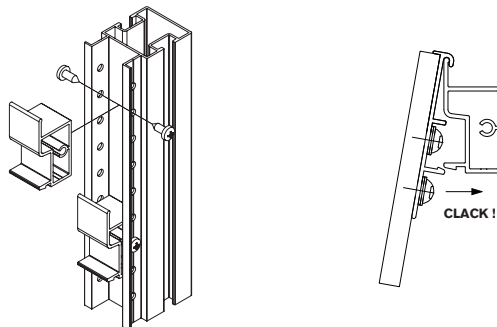
Profiles with 20 mm. spacing

Louvre installation

0° Installation / Variable distance between louvres

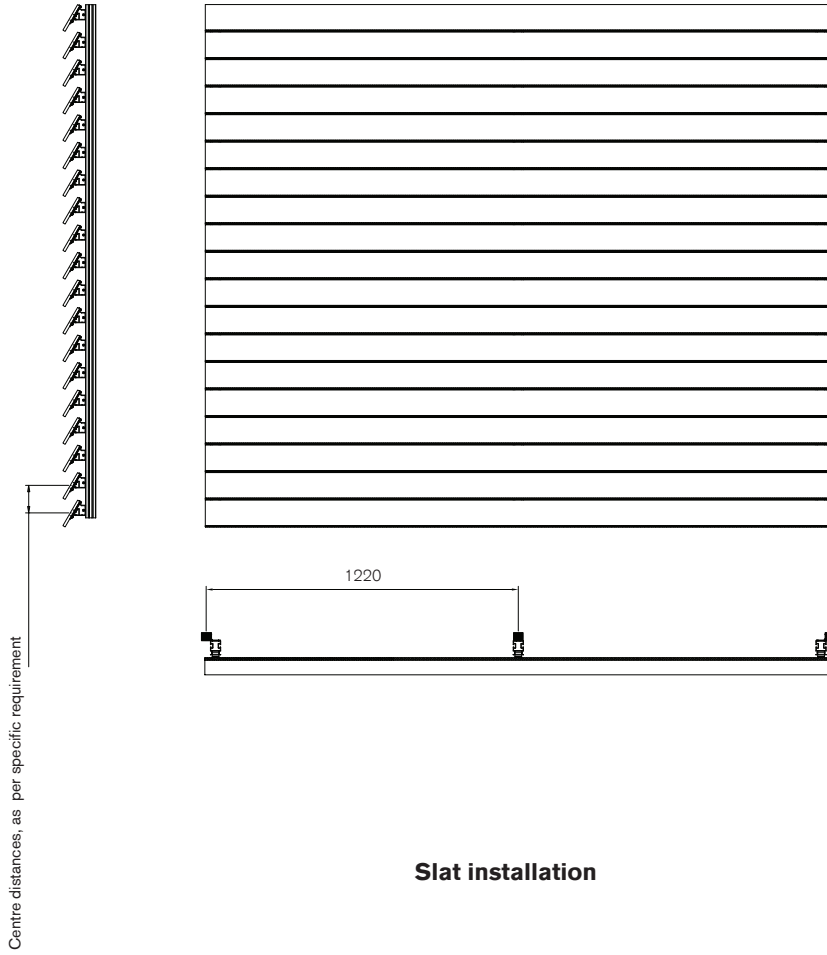


Slat installation

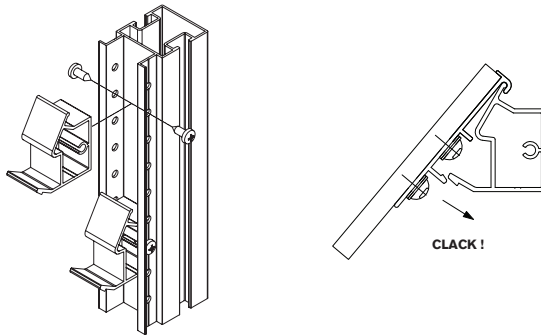


Louvre installation

60° Installation / Variable distance between louvres



Slat installation



Finish range



Ambar



Antra



Gold



Quartz



Rubi



Copper



Onix



Silver

www.parklex.com