



*Parasoleil*

# pattern with *purpose*

Pattern: Lemon Drop [ contemporary ]  
Project: Private Residence (Aspen, CO)  
Material: 1/4" aluminum  
Support: framed



Pattern: Eckleburg [ transitional ]  
Project: Parasoleil (Denver, CO)  
Material: 1/4" aluminum

Pattern: Kenyan [ cultural ]  
Project: RockSol office railing  
(Westminster, CO)  
Material: 1/4" aluminum  
Support: 32" on-center



Parasoleil has developed a unique line of architectural panels to filter and sculpt light that are not only engineered to withstand the elements, but are profoundly artistic. It's something of a living architectural element that brings form to the ideals and impulses that shape experience.



Pattern: Lemon Drop [ contemporary ]  
Project: City of Lakewood (Lakewood, CO)  
Material: 1/4" aluminum  
Support: 48" on-center



Pattern: Onion [ transitional ]  
Project: Private Residence  
Material: 1/4" steel  
Support: framed



Pattern: Anderson Ranch [ natural ]  
Project: Private Residence (Boulder, CO)  
Material: 1/4" aluminum  
Support: 48" on-center

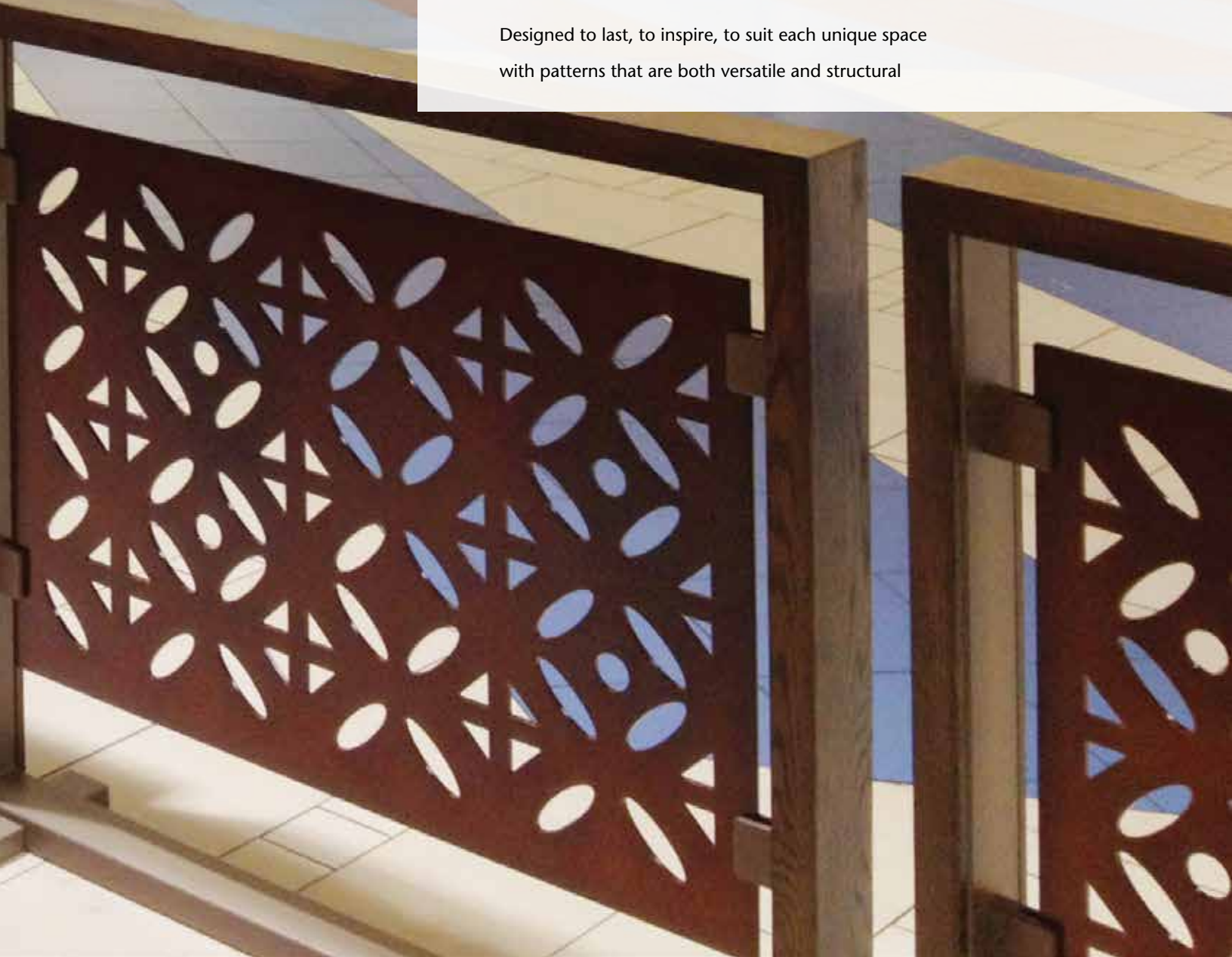


 design

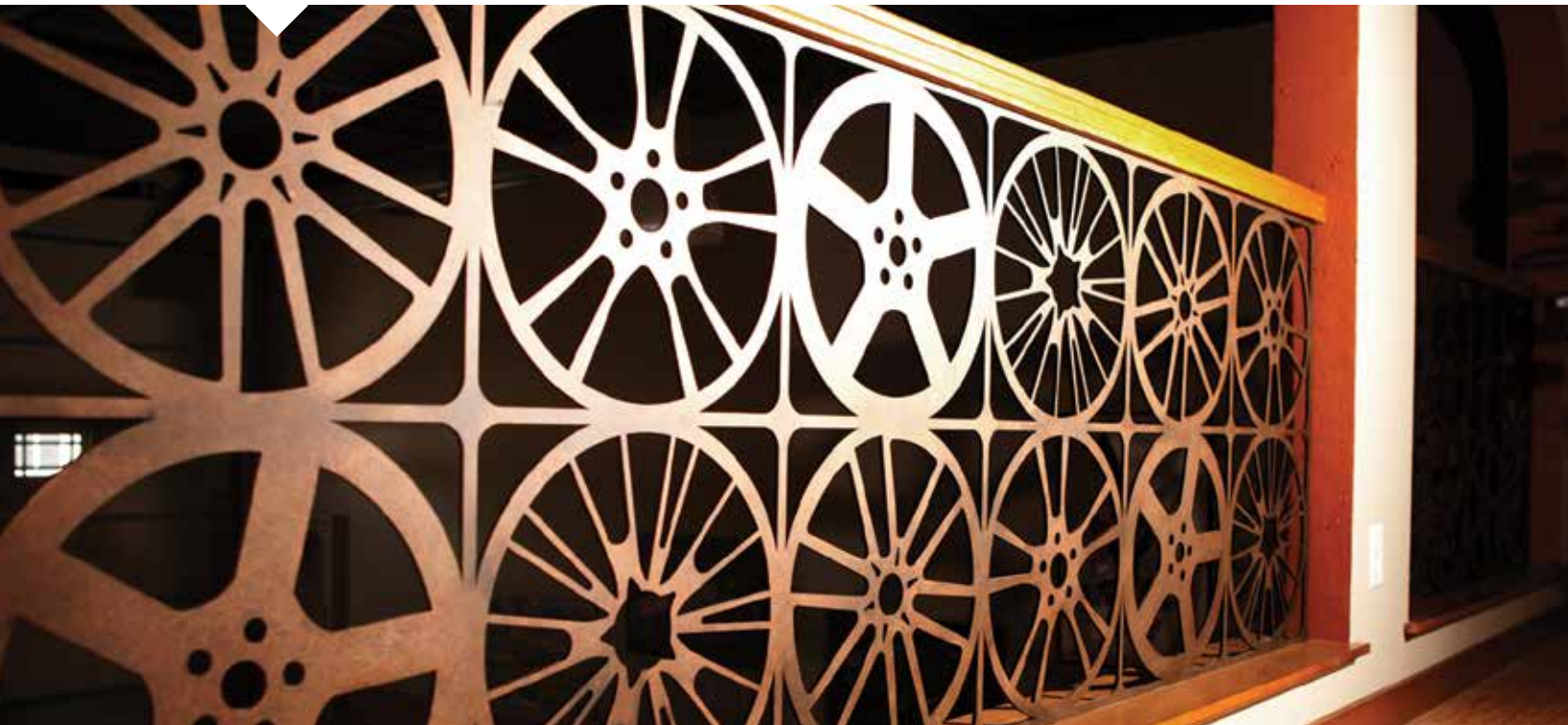
Pattern: Continental Flower [ cultural ]  
Project: Sky Harbor Int'l Airport (Phoenix, AZ)  
Material: 1/4" aluminum  
Support: 36" framed



Designed to last, to inspire, to suit each unique space with patterns that are both versatile and structural



Pattern: Custom  
Project: Private Residence (Minneapolis, MN)  
Material: 1/4" steel  
Support: 48" on-center  
Designer: Herrick Design



Pattern: Flanigan [ transitional ]  
Project: Starbucks (Phoenix, AZ)  
Material: 1/4" aluminum  
Support: 48" framed

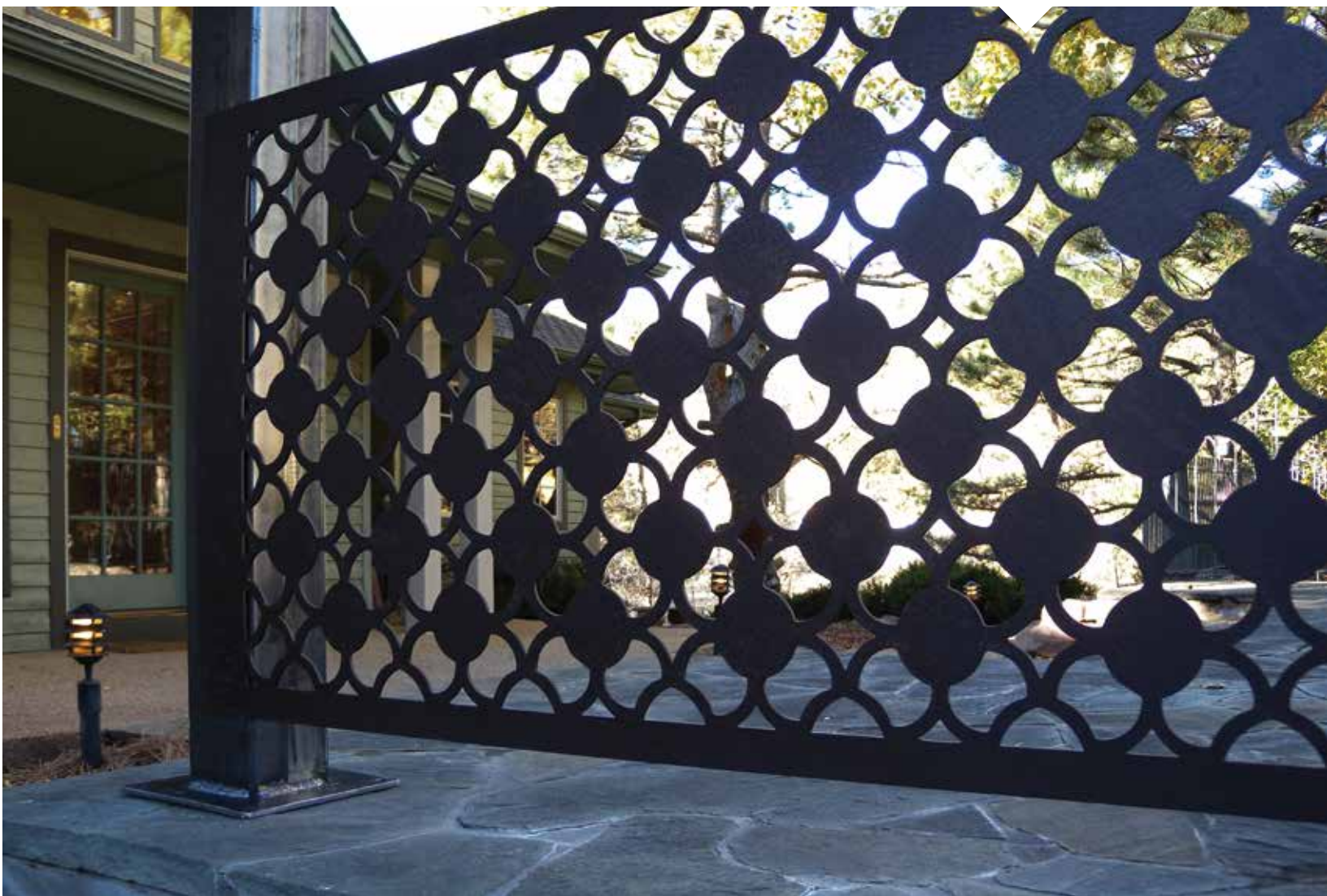


Pattern: Custom  
Project: Starbucks (Lake Zurich, IL)  
Material: 1/4" aluminum  
Support: 48" on-center



Pattern: Custom  
Project: Private Residence (Santa Fe, NM)  
Material: ¼" Aluminum  
Support: 36" on-center

Pattern: Geode [ transitional ]  
Project: Private Residence (Boulder, CO)  
Material: ¼" Aluminum  
Support: 48" on center



All Season  
Maintenance Free

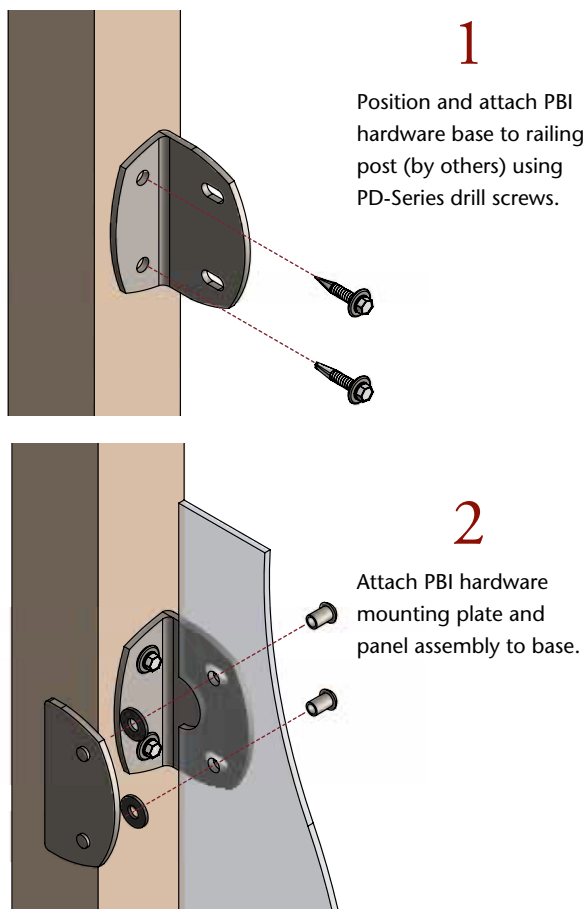
Pre-Tested  
Standard Products

Guided  
Customization

Patterns For  
Design Branding

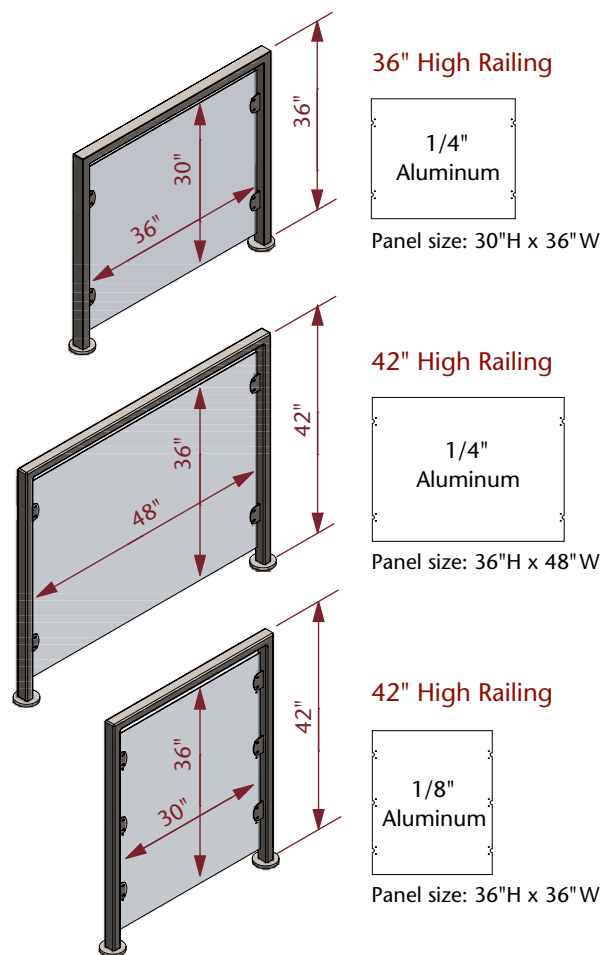
Installation Method	Features				
	Warranty Available From Parasoleil	Built-In Flexibility & Fastener Spacing	Fasteners & Hardware Available From Parasoleil	Support Frame Included	Corrosion Resistant Assembly
PBI - SERIES HARDWARE	Y*	Y	Y*	N	Y

### PBI - Series Installation Hardware\*\*



### Standard Support Configuration Options\*\*

Custom panel sizes available



\* Contact Parasoleil for complete CSI specifications, installation requirements, recommendations for custom sizes & applications, and warranty coverage.

\*\* Not rated for high wind load applications.

Consult local building department for the most accurate wind load information.